

SPRING HINGE Size 60x40mm

Self Closing
180° Opening angle

Material:

Hinge parts: Stainless Steel 304

Pin:Stainless Steel 304

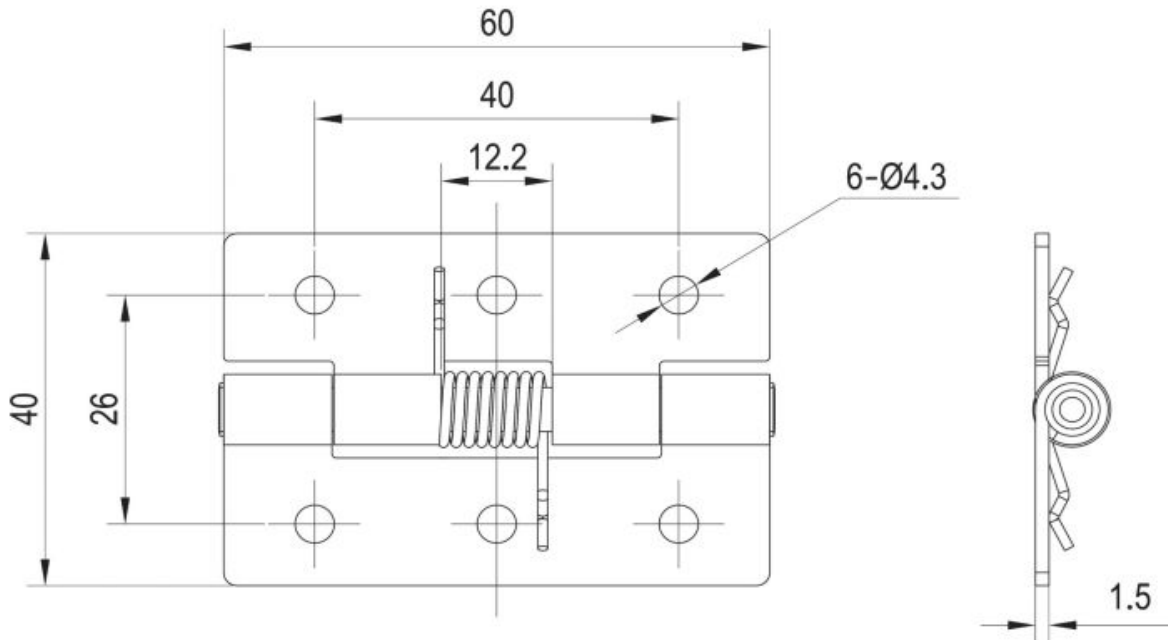
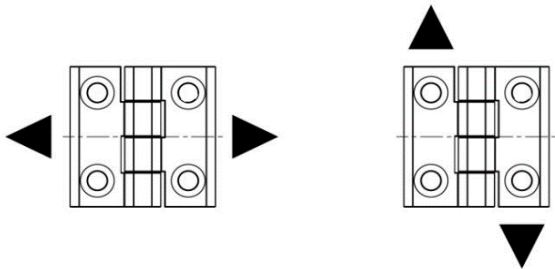
Axial Load Capacity 467Kg per hinge

Radial Load Capacity 239Kg per hinge



RADIAL LOAD CAPACITY

AXIAL LOAD CAPACITY



Overview of items

Version	Part No
Spring Hinge in Stainless steel - Self Closing	PA6124450-SST

